

Suction type insect catcher (Bug keeper)

ABK type

Attract insects by the insect light and catch by the suction fan.

- Insecticides, etc. are not used so there is no risk of chemical contamination of the product or people. It is also an environmentally friendly device.
- Catch insects in the built-in bag so cannot be seen from the outside.
- Equipped with casters for easy mobility.
 - * ABK-1904C, ABK-1002C
- ABK-650 is a small and light weight, so suitable for wall mounting.
- Insect catch bag for ABK-650 is a convenient disposable type.
 - * Bags for ABK-1904C and ABK-1002C are reuse type.



Principle of insect catching
Catch insects by the light and suction fan.

Catch in the insect bag.
(with a reversal to prevent turn back)

Dispose the insects caught.

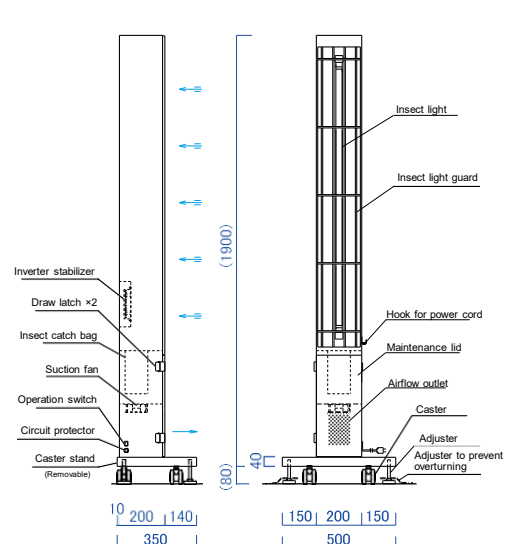
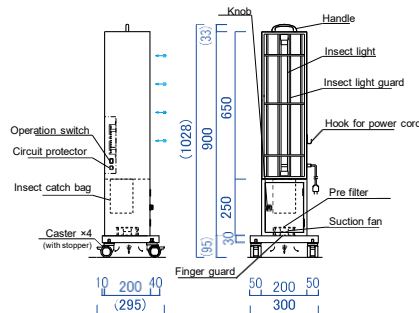
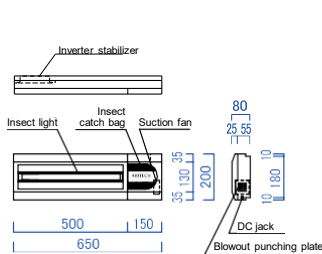
Powerful insect catching performance
Compared to standard adhesive tape, it has about 10 times the insect catching power.
* Example of measurement from our experiment

Installation
Slim vertical shape saves space.

Bug keeper **micro** ABK-650

Bug keeper **MINI** ABK-1002C

Bug keeper ABK-1904C



Model	ABK-1904C	ABK-1002C	ABK-650
Insect catch bag	Polyester net	Polyester net	Nonwoven net
Air volume (m ³ /min)	Approx. 2	Approx. 0.9	Approx. 0.23
Power source	AC100V 1φ 50/60 Hz		
Apparent power (VA)	Approx. 100	Approx. 50	Approx. 50
Insect light	40W ×1	20W ×1 15W ×1	
Weight (kg)	Approx. 40	Approx. 45	Approx. 5
Structure	Main body: Steel plate (baking finish)		
Accessories	Insect bag×3	Insect bag×3	Insect bag×10

* Insect bag has a reversal to prevent turn back of the insect
* ABK-1904C comes with the adjuster to prevent overturning (4pcs).