

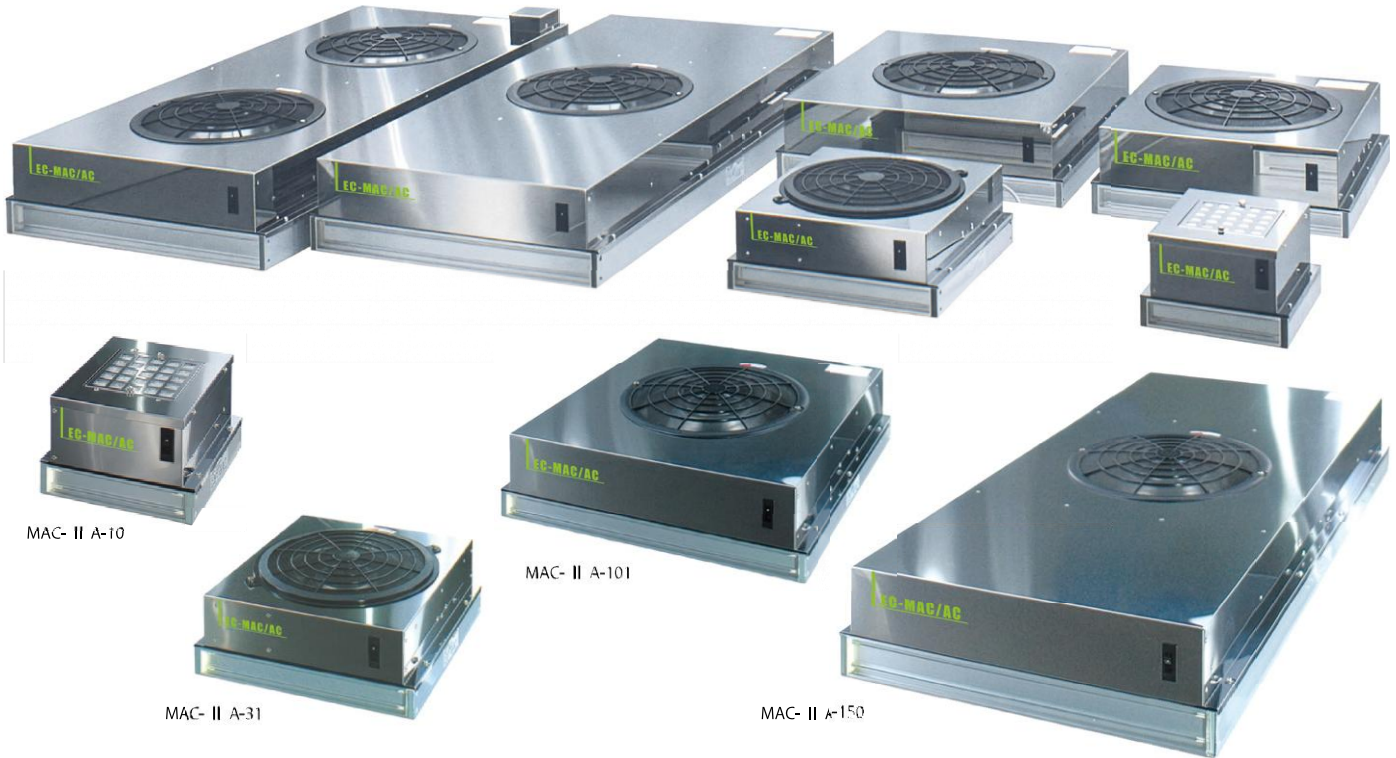
# EC-MAC (AC motor type)

Equipped with AC motor

RoHS compliant

Choose from compact to large (high-airflow) models to suit your needs.

\* RoHS Directive : EU rules restricting the use of hazardous substances in electrical and electronic equipment to protect the environment and public health.



MAC- II A-10

MAC- II A-101

MAC- II A-31

MAC- II A-150

## Stainless steel (mirror finish)

Offers excellent corrosion resistance. Its range of applications has expanded.

## Comprehensive lineup

Choose from models ranging from 1 m<sup>3</sup>/min to 45 m<sup>3</sup>/min (large airflow type) to suit your application.

## Power source

Also possible to choose AC 200V 1φ, AC220V 3φ as an optional.

\* MAC-IIA-10 and MAC- II A-31 operate on 100V only.

## Glowing filter

Equipped with a LED indicator light for confirming operation status at a glance.

\* Standard on MAC- II A-31, -51, -101, -150, -251.

\* Exclude MAC- II A-10, PTFE filter type.

## Selectable filter

In addition to HEPA filter, ULPA filter is also available for applications requiring higher cleanliness levels.

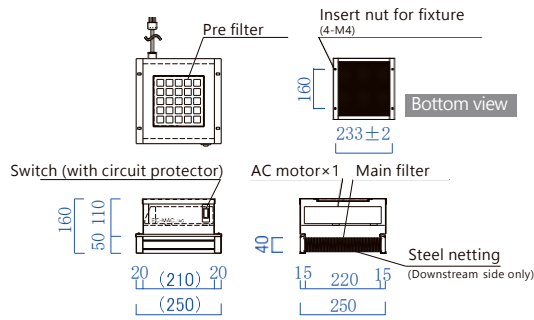
| Model                            | MAC- II A-10<br>[ MAC- II A-10UL ]   | MAC- II A-31<br>[ MAC- II A-31UL ]     | MAC- II A-51<br>[ MAC- II A-51UL ] | MAC- II A-101<br>[ MAC- II A-101UL ] |
|----------------------------------|--|--|------------------------------------|--------------------------------------|
| Efficiency                       | 99.99% or higher at 0.3 μm particles [ 99.999% or higher at 0.1 ~ 0.2 μm particles ] |  |                                    |                                      |
| Main filter                      | CD3093669 [ CD3102700 ]  | CD3052533 [ CD3052534 ]                | CD3052535 [ CD3052536 ]            | CD3052537 [ CD3052538 ]              |
| Pre filter                       | CD4132650  | CD4060470                              | CD2045380                          |                                      |
| Air volume (m <sup>3</sup> /min) | Approx. 1.0/0.8 [ 0.8/0.65 ]   | Approx. 3.0/3.5 [ 2.3/2.7 ]            | Approx. 4.5/5.4 [ 3.6/4.4 ]        | Approx. 10.0 [ 7.0 ]                 |
| Average air velocity (m/s)       | 0.36/0.29 [ 0.29/0.23 ]  | 0.38/0.44 [ 0.29/0.34 ]                | 0.35/0.42 [ 0.28/0.34 ]            | 0.51 [ 0.35 ]                        |
| Noise (dBA)                      | Approx. 51/49  | Approx. 53/55                          | Approx. 53/55                      | Approx. 58                           |
| Power source                     | AC100V 1 φ 50/60Hz   |  |                                    |                                      |
| Power consumption (W)            | 35/40  | 36/46                                  | 50                                 | 105/120                              |
| Blower (unit)                    | AC motor × 1   |  |                                    |                                      |
| Weight (kg)                      | Approx. 4  | Approx. 6.5                            | Approx. 11.5                       | Approx. 14.5                         |
| Structure                        | Main body: SUS430 (mirror finish)  |  |                                    |                                      |
| Operation indicator light        | None   | Red high luminance LED *Glowing filter |                                    |                                      |
| Accessories                      | Gasket for mounting device   |  |                                    |                                      |

\* The specifications in [ ] apply to ULPA filter type.

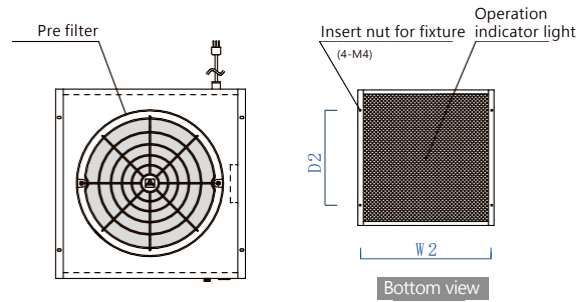
\* Measured noise in an anechoic room at 1m from the outlet side. Noise levels in general rooms will differ.

\* Please contact us if you want AC200V type.

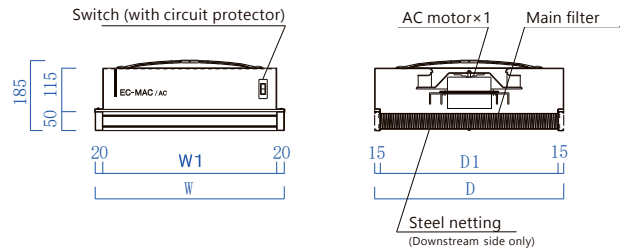
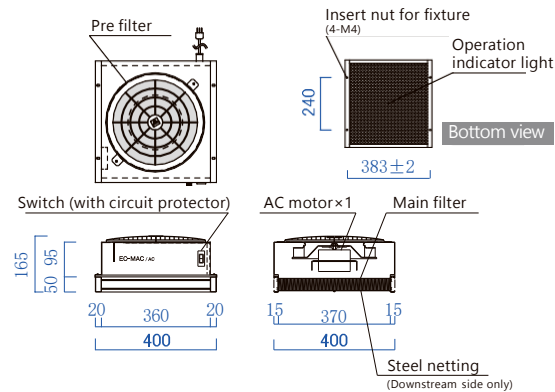
### MAC-IIA-10 [ MAC-IIA-10UL ]



### MAC-IIA-51 [ MAC-IIA-51UL ] MAC-IIA-101 [ MAC-IIA-101UL ]

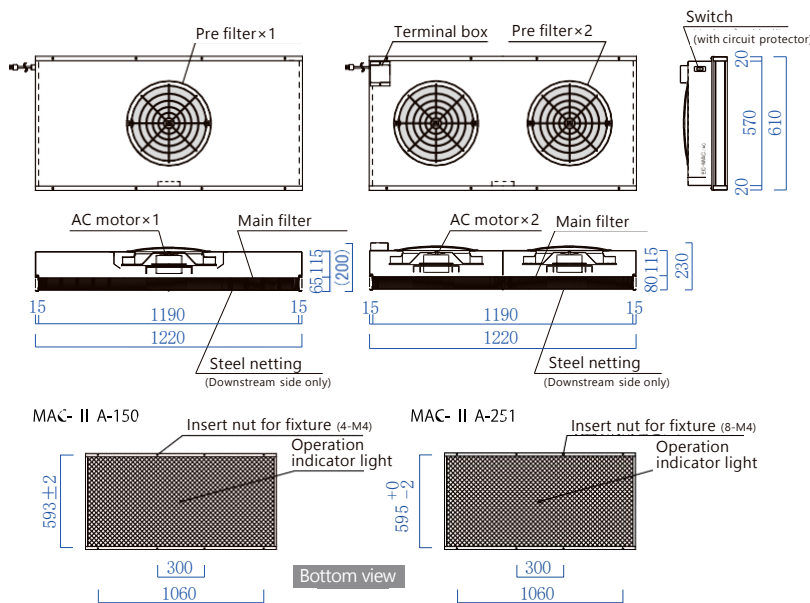


### MAC-IIA-31 [ MAC-IIA-31UL ]

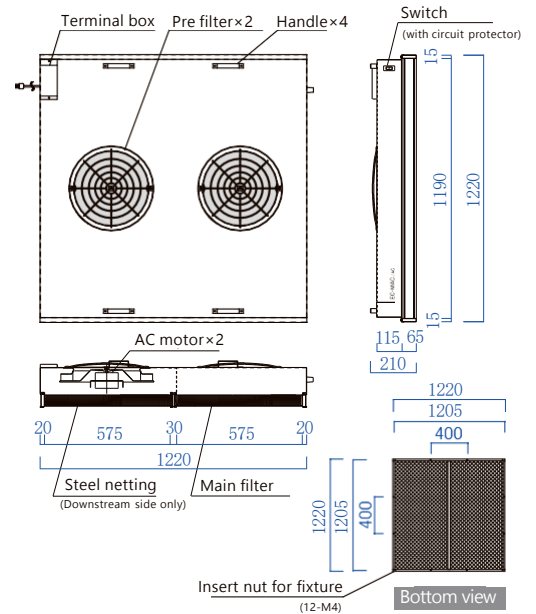


| Mode1          | W   | W1  | W2      | D   | D1  | D2  |
|----------------|-----|-----|---------|-----|-----|-----|
| -5 2DCCON [UL] | 500 | 460 | 483 ± 2 | 500 | 470 | 350 |
| -101DCCON [UL] | 610 | 570 | 593 ± 2 | 610 | 580 | 450 |

### MAC-IIA-150 [ MAC-IIA-150UL ] MAC-IIA-251 [ MAC-IIA-251UL ]



### MAC-IIA-300 [ MAC-IIA-300UL ]



| Model                            | MAC-II A-150<br>[ MAC-II A-150UL ]   | MAC-II A-251<br>[ MAC-II A-251UL ] | MAC-II A-300 (built to order)<br>[ MAC-II A-300UL ] | MAC-II A-450 (built to order)<br>[ MAC-II A-450UL ] |
|----------------------------------|--|------------------------------------|---|---|
| Efficiency                       | 99.99% or higher at 0.3 μm particles [ 99.999% or higher at 0.1 ~ 0.2 μm particles ] |                                    |   |   |
| Main filter                      | CD3055797 [ CD3055829 ]  | CD3232613 [ CD3234758 ]            | HEPA filter [ ULPA filter ]                         |   |
| Pre filter                       | CD2045380  |                                    |   | Saran net   |
| Air volume (m <sup>3</sup> /min) | Approx. 15 [ 13 ]  | Approx. 25 [ 20 ]                  | Approx. 30 [ 26 ]                                   | Approx. 45 [ 39 ]                                   |
| Average air velocity (m/s)       | 0.37 [ 0.32 ]  | 0.61 [ 0.49 ]                      | 0.36 [ 0.31 ]                                       | 0.36 [ 0.31 ]                                       |
| Noise (dBA)                      | Approx. 56/57  | Approx. 60                         | Approx. 62  | Approx. 65  |
| Power source                     | AC100V 1 φ 50/60Hz   |                                    |   |   |
| Power consumption (W)            | 141/157  | 205/230                            | 320/350   | 450/525   |
| Blower (unit)                    | AC motor × 1   | AC motor × 2                       |   | AC motor × 3  |
| Weight (kg)                      | Approx. 22   | Approx. 26                         | Approx. 50  | Approx. 70  |
| Structure                        | Main body: SUS430 (mirror finish)  |                                    |   |   |
| Operation indicator light        | Red high luminance LED * Glowing filter  |                                    | None  |   |
| Accessories                      | Gasket for mounting device   |                                    |   |   |

- \* The specifications in [ ] apply to ULPA filter type.
- \* Measured noise in an anechoic room at 1m from the outlet side. Noise levels in general rooms will differ.
- \* Please contact us if you want AC200V type.